

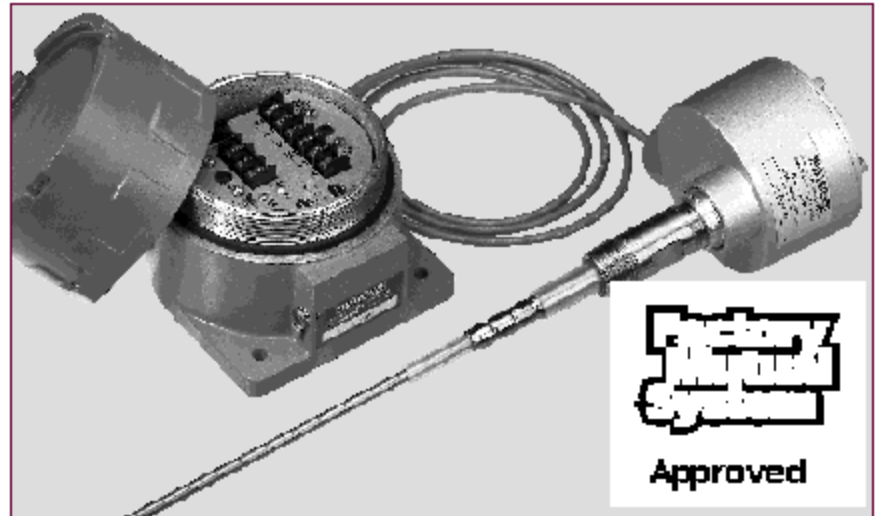
Instrumentation designed
with the user in mind.

Performance

- ❑ **High Sensitivity** - Extremely sensitive yet has a very high turn-down capability: 0.15 pF to 1000 pF.
- ❑ **Excellent Temperature Stability** - Less than 0.1 pF thermal drift per 20°F (less than 1.0 pF/200°F of ambient temperature change).
- ❑ **Wide Temperature Ranges** - Ambient temperature -40 to 150°F (-40 to 66°C); process temperature -300 to 500°F (-184 to 260°C).
- ❑ **Designed to Survive** - RF immune and vibration-proof. All circuit boards are conformally coated (tropicalized) for extra protection - at no extra cost.
- ❑ **ROLLOCK™ PROBES** - Featuring rolled seals and welded assembly, the ingenious ROLLOCK™ design locks all elements of the probe in position and insures that no part of the probe can fall into the process or be blown from the mounting. No retightening of seals required.

NULL-KOTE™ RF Impedance Remote, High-Perform-X™ Point Level Controller

Excellent sensitivity and stability with innovative NULL-KOTE™ circuitry, which ignores product build-up on the probe



Features

- ❑ **Remote Sensor Mounting** - Eliminates the need to work in high places, hazardous locations, or inclement weather. Control unit can be up to 3000 feet from sensor and uses ordinary twisted pair cable.
- ❑ **Universal** - Wide Range of Point Level Applications - detects the level of powders, granules, conductive or non-conductive liquids ... even the sticky ones.
- ❑ **NULL-KOTE™ Circuitry** - Makes the sensor immune to adverse effects from conductive coating build-up.
- ❑ **Heavy Duty Relay** - 10A, 115 Vac (resistive) control contacts.
- ❑ **High or Low Fail-Safe** - Field selectable.
- ❑ **Easy-On Probe Connection** - Automatically provides simple, fast installation and reliable operation without wires, connectors, or terminal strips. Simply screw probe into the housing.
- ❑ **Time-Delay Included** - 0-30 second delay at no extra charge.
- ❑ **Ten-Year Warranty** - The only level instruments available with this unique assurance of quality.
- ❑ **Unique Status Indicator** - (two color) Shows presence or absence of material and also indicates power "on".
- ❑ **Factory Mutual System Approved** - Class I, II, III, Div. 1, Groups C, D, E, F, & G/NEMA4.

Description

PRINCO's **High-Perform-X™** Model L3540 remote level controller gives you the optimum combination of convenience, reliability, sensitivity, features, and cost.

Conformally coated electronics, NULL-KOTE™ circuitry, explosion-proof/weatherproof enclosures, ROLLOCK™ probe construction and our unique 10 Year Warranty means the ultimate in reliability.

Excellent sensitivity, coupled with stability of 1 picofarad over the entire operating range, gives you a true set and forget installation.

With a remote mounted sensor, 10 amp control relay contacts, 0-30 second time delay, coarse and fine sensitivity adjustments, field selectable hi-lo failsafe, and our exclusive probe status indicator, you get all the

features you need at a price which makes the L3540 an outstanding value.

In millions of installations, spanning 85 years of experience, PRINCO process instruments have provided accurate, dependable, long lived service for all types of industries.

L3540 Specifications

Type

Point (remote sensor, on/off) level control, radio frequency (RF), impedance sensing, with NULL-KOTE™ circuitry.

Sensitivity

0.15 pF to 1000 pF capacitance.

Operating Temperature

-40 to 150°F (-40 to 66°C).

Temperature Stability

Less than .1 pF/20°F.

Delay Time/Mode

0 to 30 second/delay on and off.

Fail-Safe Mode

Fail-Safe low level or high level. Field changeable.

Dead Band

10:1 adjustable range to 1000 pF maximum.

Power Requirements

Standard Models:
95/135 Vac, 50-60 Hz, 1.3 watts
12/34 Vdc, <1 watt

Optional Model:
230 Vac

Electronics Housings

Explosion-proof Class I, II, III, Div. 1, Groups C, D, E, F, & G/NEMA4.

Test Function

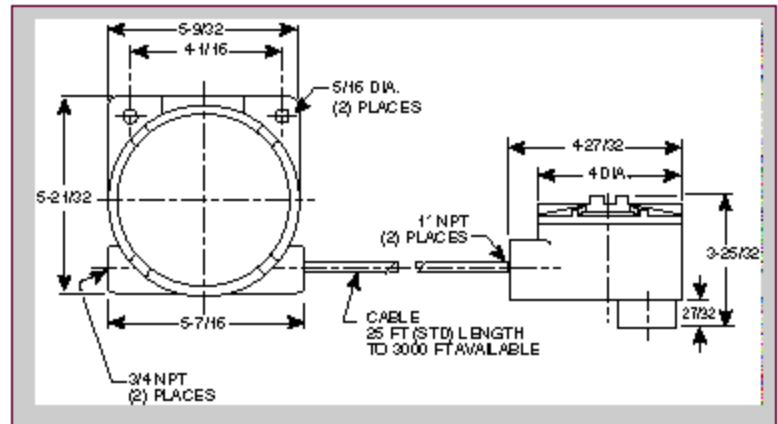
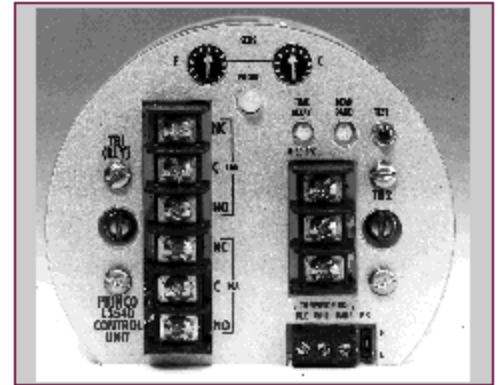
Pushbutton tests control relay.

Relay Contacts

DPDT (2 form C) rated at 10A, 115 Vac or 26 Vdc resistive.

Level Status Light

Optional: Clear window in top of explosion-proof housing to view red and green status light which indicates presence/absence of material.



NOTE:

Explosion-proof cases must be installed to satisfy National Electrical Code, Section 501, and applicable local codes.

NULL-KOTE™ Point Level Probes

Model L853, L854, L855, L857, L861, L862, and L863 probes are Factory Mutual Approved Explosion-proof Class I, II, & III, Division 1, Groups A, B, C, D, E, F, & G.

These probes are three element devices, which employ a bare sensor rod, guard section, and NPT mounting hub. All wetted parts are type 316 stainless steel or Teflon®.

All PRINCO L800 Series point level probes use PRINCO's pioneering

ROLLOCK™ construction. Featuring rolled seals and welded assembly, the ingenious ROLLOCK™ design locks all elements of the probe in position and insures that no part of the probe can fall into the process or be blown from the mounting.

Operating Temperature

-300 to 500°F (-184 to 260°C).

See PRINCO's Point Level Probe Bulletin for complete information.

10-YEAR WARRANTY

All PRINCO level control instruments are backed by a 10-year warranty. PRINCO will repair or replace, at our option, any instrument that fails under normal use for up to 10 years after purchase.

All PRINCO level instruments are designed and manufactured in the UNITED STATES OF AMERICA



PRINCO

PRINCO INSTRUMENTS, INC.
1020 Industrial Highway
Southampton, PA 18966-4095, U.S.A.
800-221-9237
(215) 355-1500 FAX (215) 355-7766

Bulletin L-97-10

NULL-KOTE and ROLLOCK are trademarks of PRINCO. Other trademarks or registered trademarks in this text are the property of their respective holders.