

SureHeat[®] JET CONTROL

Air Heater Control System

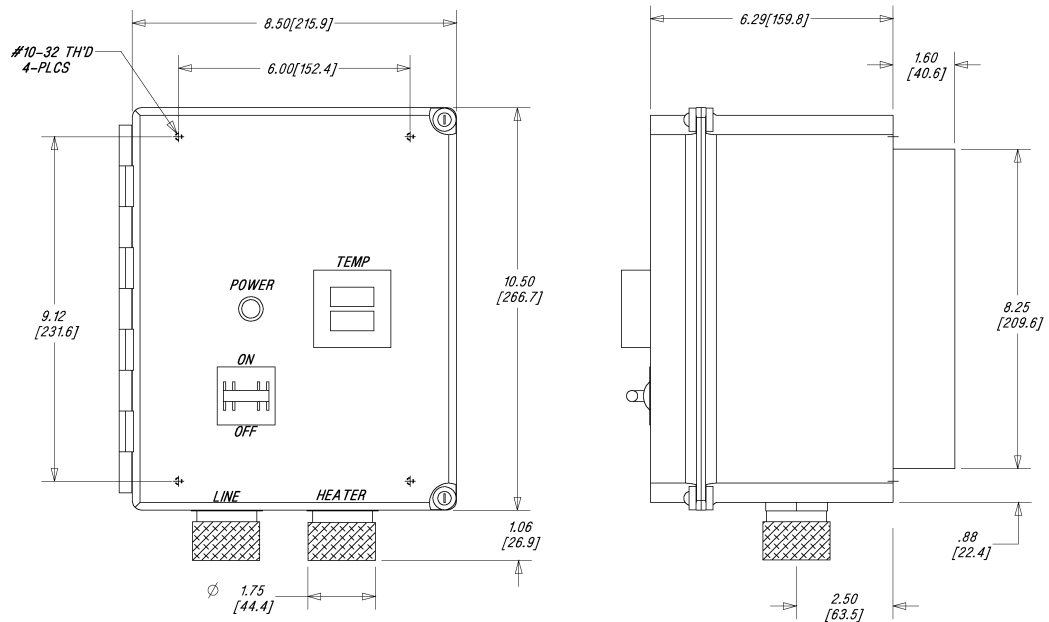
Specifications

- Closed-loop temperature control system for SureHeat[®] JET heaters.
- NEMA 4X enclosure
- Electrical rating 35A 240V~ 1Φ
- Precise control of SureHeat[®] JET to ±1°.
- Factory programmed for optimum SYLVANIA heater life.
- Includes:
 - 1/16 DIN Digital Temp Controller (for S2)
 - 1/32 DIN Digital Temp Controller (for S1)
 - “Zero-cross” SSR Power Controller
 - Door-mounted circuit breaker
 - Power-ON indicator light.
 - 5m (15') heater connection cable (not shown)
- Safety approvals – CE, UL



SureHeat CONTROL shown with SureHeat JET heater.

Installation



Products

Part Number	Description	Max Watts	Max Volts	Max Amps
F074722	SureHeat JET CONTROL system	8.0kW	240V~ 1Φ 50/60 Hz	35

OSRAM SYLVANIA- Process Heat
 131 Portsmouth Avenue
 Exeter, NH 03833 USA
 Tel: 603-772-4331
 Fax: 603-772-1072
 www.sylvaniaheaters.com

