

## BRH SERIES

### CONTRACTOR AIR HEATERS

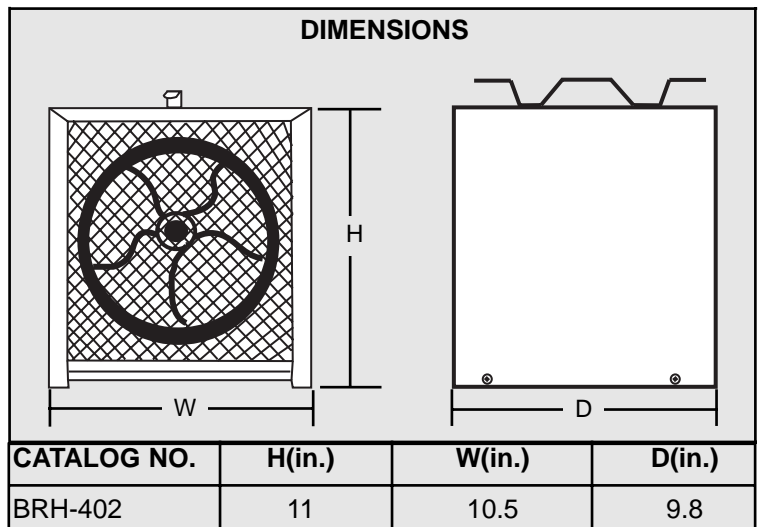
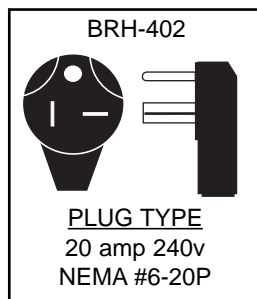
- BUILT-IN THERMOSTAT
- BUILT-IN HANDLE / CORD STORAGE
- SAFETY HIGH TEMPERATURE LIMIT
- 6' HEAVY DUTY CORD WITH PLUG



For construction job sites, commercial workshops and other large unheated areas.

- Industrial finger proof, steel intake and discharge grilles.
- Red Finish.
- Steel spiral fin brazed to metal sheathed element for maximum heat transfer.

- Quiet.
- Permanently lubricated motor.



#### SELECTION CHART

CATALOG NO.	UPC.	VOLTS	PH	WATTS	BTU/HR	AMPS	PLUG TYPE	WT(LBS.)
BRH-402	098319862006	240/208	1	4000/3000	13,650/10,238	16.7/14.4	#6-20P	17