



INSTALLATION, OPERATION AND MAINTENANCE INSTRUCTIONS FOR INDEECO ECONOMICAL UNIT HEATER "ULI SERIES"

LOCATION OF HEATERS AND REMOTE THERMOSTATS

1. For best results, do not exceed a mounting height of 8 ft. (2.4 m) from the floor.
2. Direct discharge streams:
 - away from room occupants
 - away from columns, posts, machinery and partitions
 - parallel to outside walls
 - along the windward side of buildings exposed to prevailing winds.
3. Locate thermostats on interior partitions, walls or posts (insulate from cold steel posts), away from cold drafts, internal heat sources and from heater discharge.
4. Small rooms require only one unit heater. In large rooms arrange multiple units to provide perimeter circulation.

WARNING

- Disconnect all power supplies before working on any of the circuits.
- Minimum clearance of 5 in. (12 cm) from any wall.
- Do not use to heat air containing combustible materials.
- Mount out of reach.

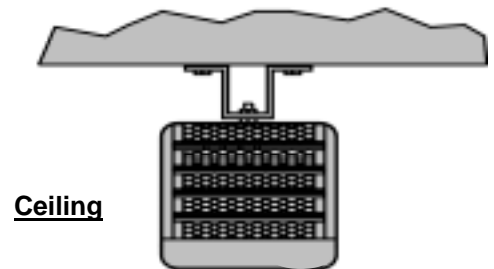
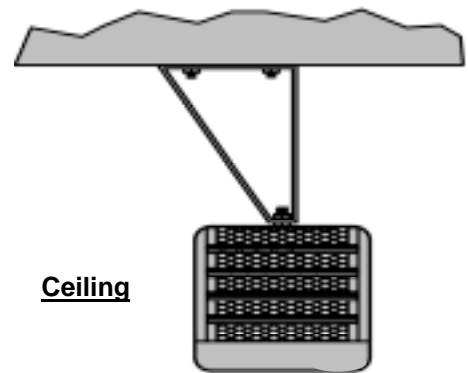
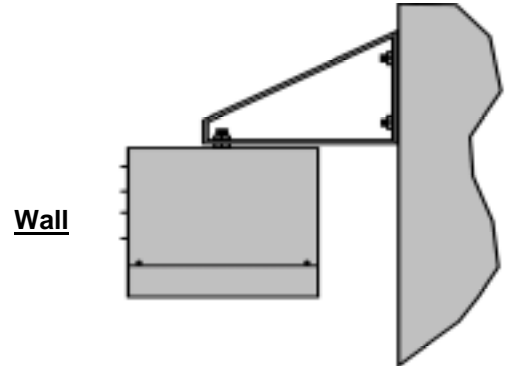
OVERTEMPERATURE PROTECTION

The motor and the heater elements are protected against overtemperature by automatic thermal hi-limits.

Cycling of the hi-limit is an indication of abnormal operation and should be corrected at once.

BUILT-IN THERMOSTAT

Adjustment range 55 to 106°F (10 to 41°C).



Universal 360° wall or ceiling mounting devices.