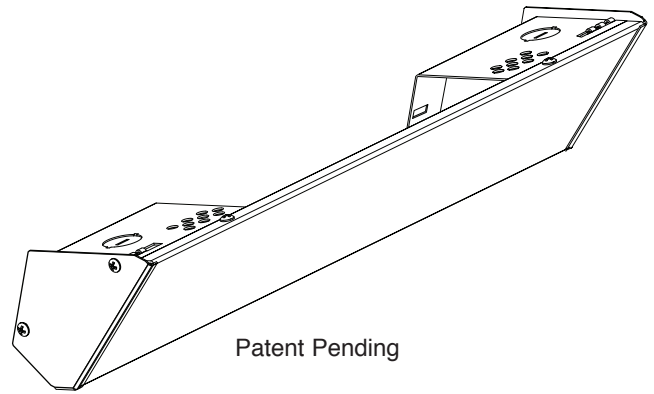




Marley
Engineered Products
An **SPX** Company



Patent Pending



FILE #E21609

COVE HEATER Model C

Installation & Maintenance Instructions

Dear Owner,

Congratulations! Thank you for purchasing this new heater manufactured by Marley Engineered Products. You have made a wise investment selecting the highest quality product in the heating industry. Please carefully read and follow the installation and maintenance instructions shown in this manual. You should enjoy years of efficient heating comfort with this product from Marley Engineered Products... the industry's leader in design, manufacturing, quality and service.

*... The Employees of
Marley Engineered Products*



WARNING

Read Carefully - These instructions are written to help you prevent difficulties that might arise during installation of heaters. Studying the instructions first may save you considerable time and money later. Observe the following procedures, and cut your mounting time to a minimum. TO REDUCE RISK OF FIRE OR ELECTRIC SHOCK:

1. Disconnect all power coming to heater at main service panel before wiring or servicing.
2. All wiring must be in accordance with the National and Local Electrical Codes and the heater must be grounded.
3. Verify the power supply voltage coming to heater matches the ratings printed on the heater nameplate before energizing.
4. This heater is hot when in use. To avoid burns, do not let bare skin touch hot surfaces.
5. Do not insert or allow foreign objects to enter any ventilation or exhaust opening as this may cause an electric shock, fire, or damage to the heater.
6. Do not block air intakes or exhaust in any manner. Keep combustible materials, such as crates, drapes, etc., away from heater. Do not install behind door, furniture, towels, or boxes.
7. A heater has hot and arcing or sparking parts inside. Do not use it in areas where gasoline, paint, or flammable liquids are used or stored.
8. Use this heater only as described in this manual. Any other use not recommended by the manufacturer may cause fire, electric shock, or injury to persons.
9. This heater is not approved for use in corrosive atmospheres such as marine, green house, or chemical storage areas.

SAVE THESE INSTRUCTIONS

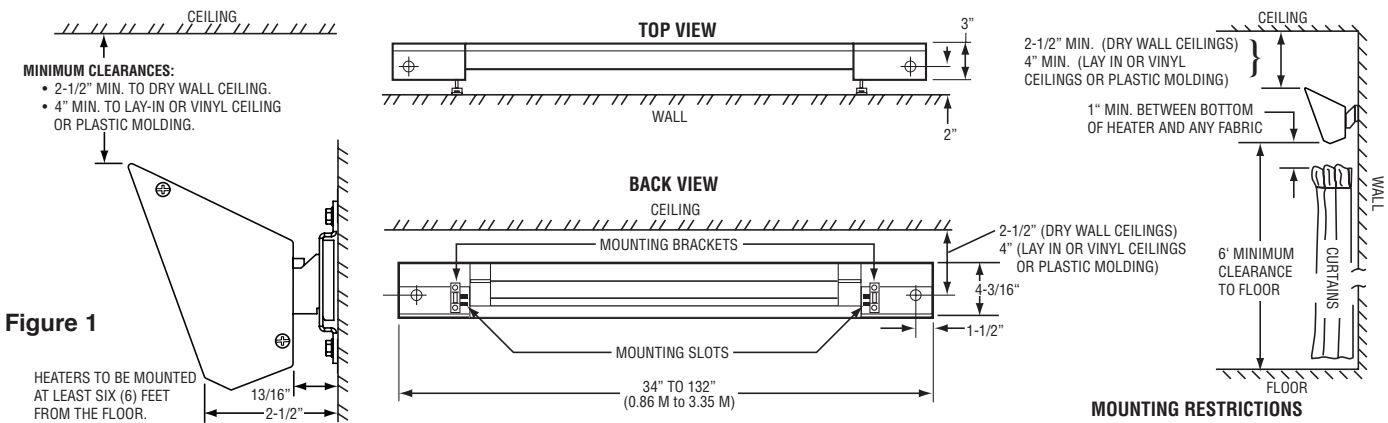


Figure 1

HEATERS TO BE MOUNTED AT LEAST SIX (6) FEET FROM THE FLOOR.

CAUTION

1. THE HEATER MUST BE MOUNTED AT LEAST 6' (182.8 cm) or (1.83 m) ABOVE THE FLOOR TO PREVENT ACCIDENTAL CONTACT.
2. TO PREVENT POSSIBLE OVERHEATING OR DAMAGE DUE TO OVERHEATING, REFER TO TABLE 1 FOR SIDE, TOP, AND BOTTOM CLEARANCE REQUIREMENTS.

GENERAL

When installing 2 or more heaters along one wall:

1. Mount heaters allowing adequate spacing between heaters as shown in Table 1.
2. Install optional RCCSPC Splice Plate (if desired) per instructions provided with RCCSPC.

When mounting heaters end to end add the "maximum allowable expansion" of each heater and provide that clearance from end to end of units. See Table 1.

Table 1

WATTS	MAXIMUM ALLOWABLE EXPANSION	MOUNTING SLOT DISTANCE (CTR-CTR)
450	1/8" (4mm)	27" (686mm)
600	1/4" (7mm)	40" (1,016mm)
750	1/2" (13mm)	52" (1,321mm)
900	3/4" (19mm)	64" (1,626mm)
1050	7/8" (23mm)	76" (1,930mm)
1200	1-1/8" (29mm)	87" (2,210mm)
1500	1-3/8" (35mm)	111" (2,819mm)
1800	1-1/2" (38mm)	125" (3,175mm)

MOUNTING THE HEATER

1. Locate a wall stud for mounting the center bracket. Use the mounting template provided to mark screw location after reviewing ceiling clearances shown in Figure 1.

How to assemble end wall bracket: Refer to Figure 3. Insert mounting hook piece into the wall plate as shown.

Mount end bracket assembly to wall using mounting template for location. The distance between the left end bracket and right end bracket is shown in Table 1.

Mount the heater to the center bracket by hooking the top flange of the heater assembly onto the top edge of the center bracket(s). See cutaway in figure 2. Align the heater so that the hooks of the end brackets can be inserted into the slots located on the back side of the junction boxes.

For 450 to 1200 watt heaters: Mount the heater to the center bracket first, and then install the brackets to the end junction boxes allowing single person installation.

For 1500 to 1800 watt heaters: Mount the two center brackets equally distant first before attempting mounting the end brackets to the junction boxes.

2. Attach junction box heater assembly by tilting heater back and allowing the slot to fall onto bracket hook. Then simply bring heater forward, locking into place. See figure 2.

Lock the center bracket to the front panel of the heater by applying upward motion to the bottom of the center bracket while pushing the front panel toward the wall. This will lock the lower hook of the center bracket into the slot of the wireway. See cutaway in figure 2.

3. The cove heater can be wired from either end of the heater. Install a cable clamp (supplied by others) in one of the knockouts located in back of the junction boxes you plan to use. Insert the power supply cable through the cable clamp allowing approximately 6" (152mm) of cable length to remain inside the box to facilitate wiring.

5. Refer to wiring diagrams on next page.
6. Attach end caps (found in parts bag) as shown in Figure 3.

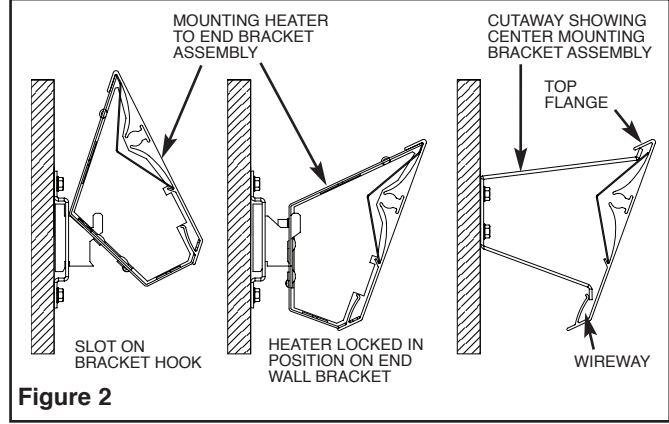


Figure 2

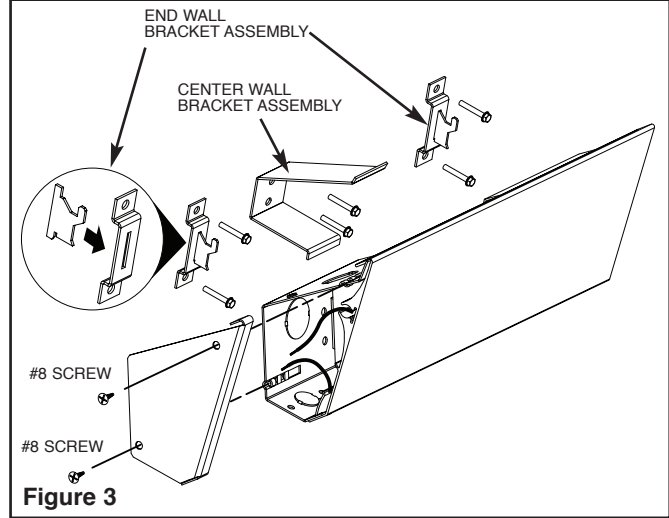


Figure 3

INSTALLATION AT CORNER

1. Heaters must be located so that the ends of each heater are 4 inches from side wall. See Figure 4.

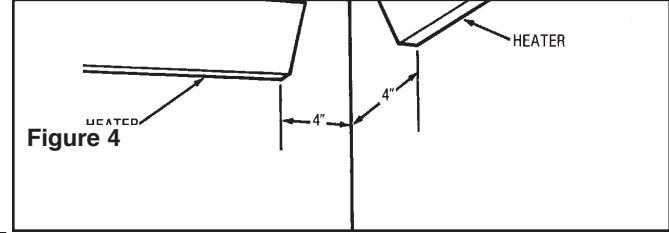
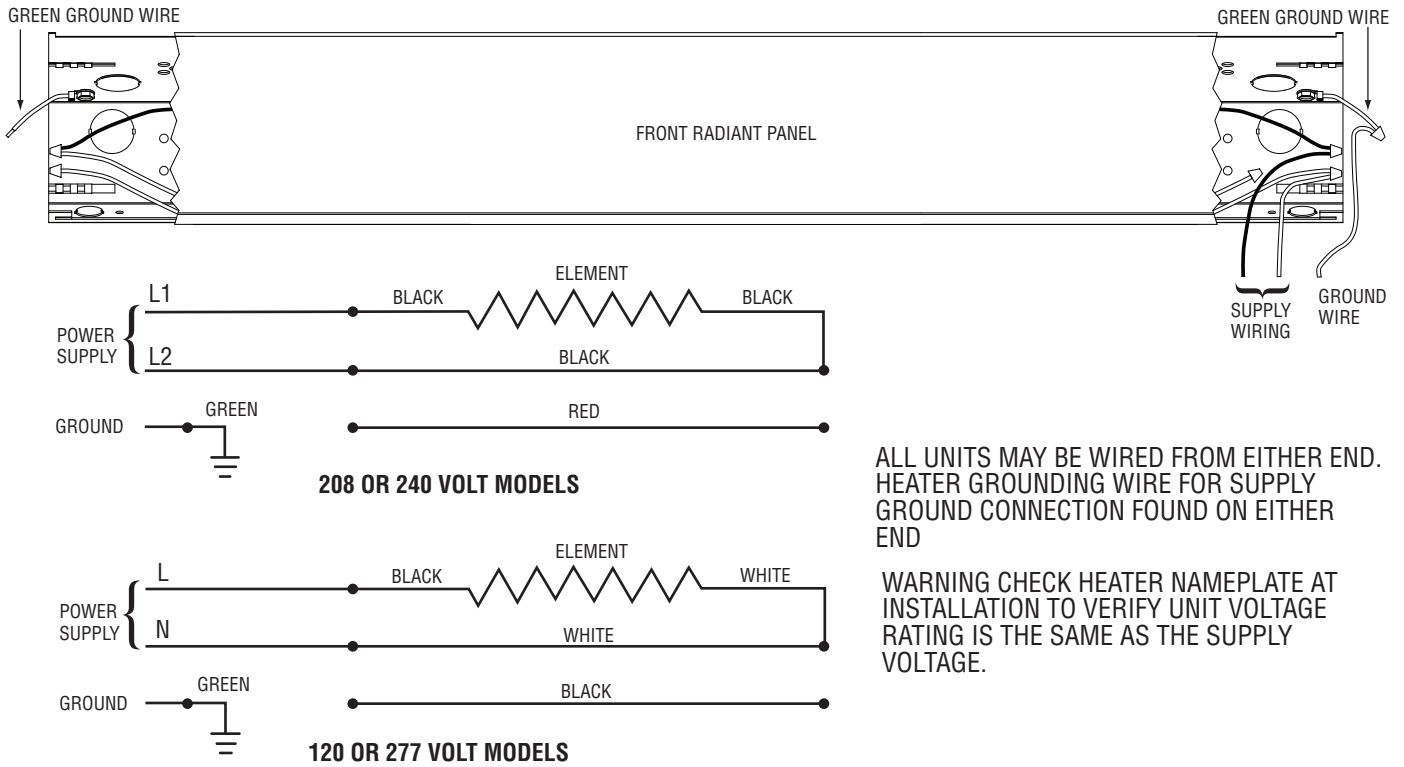
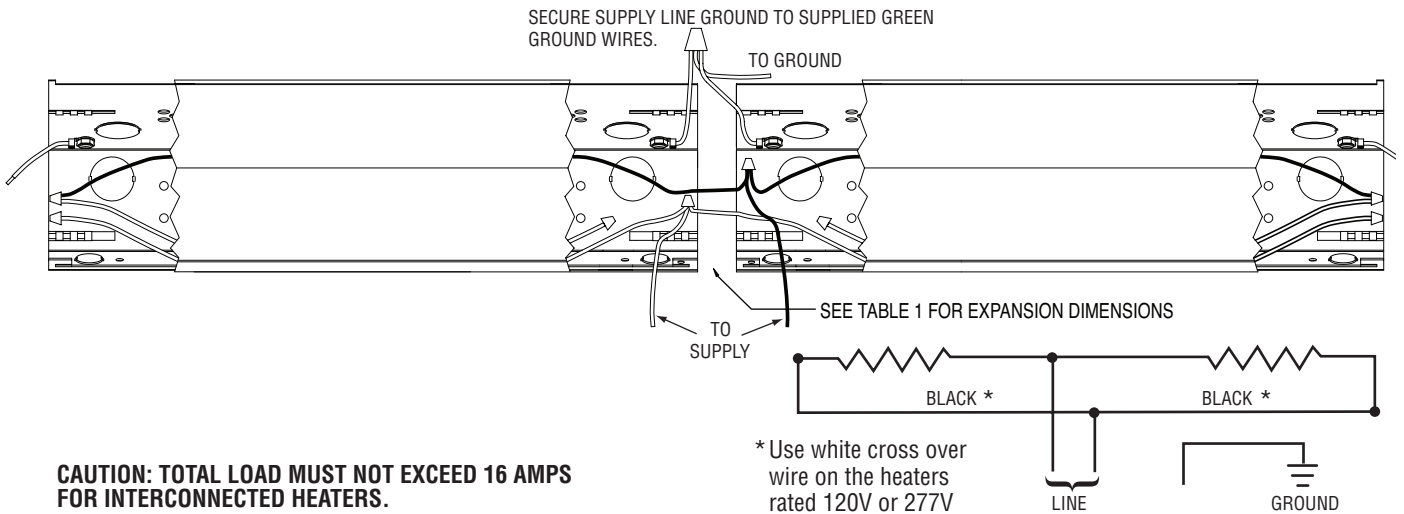


Figure 4

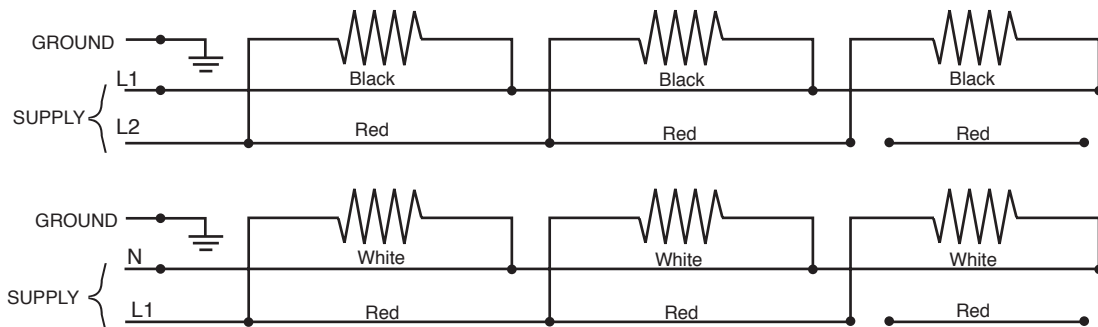
SINGLE UNIT WIRING



TWO UNIT WIRING - SUPPLY IN MIDDLE



TWO OR MORE HEATERS - SUPPLY AT END



A. 208 VOLT HEATERS

B. 120 VOLT OR 277 VOLT HEATERS

FOR GROUND CONTINUITY BETWEEN ADJACENT HEATERS USE GROUND STRAP PROVIDED. SEE NOTES ABOVE FOR TWO UNIT WIRING - SUPPLY IN MIDDLE.

Figure 5. Heater Wiring

IMPORTANT INFORMATION

REPLACEMENT PARTS

Due to the intrinsic design of the cove heater, we are unable to make the element, extrusion, crossover wires, back wrap and junction boxes replaceable; however, the following parts kits are available.

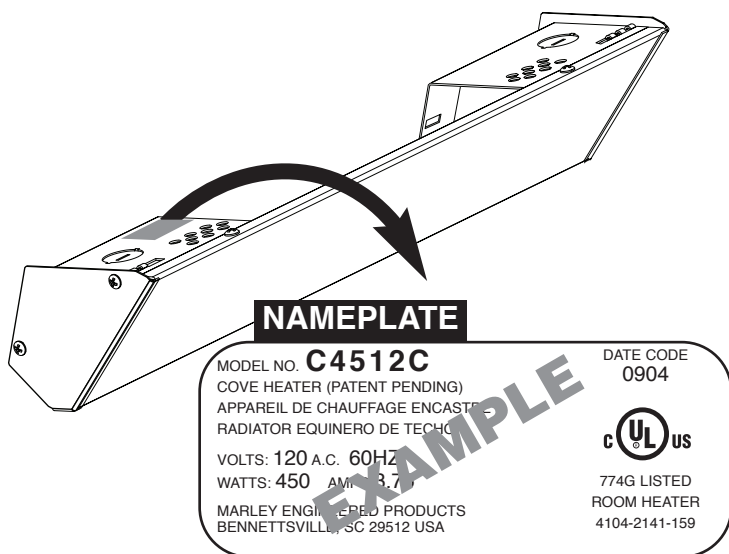
Parts Kit 1: Part number 3303-2031-001 Includes end caps, spacer plate, end brackets, center bracket, mounting template and all hardware for models, C45, C60, C75, C90, C105 and C120.

Parts Kit 2: Part number 3303-2031-002 Same as above except for models C150 and C180.

ACCESSORIES (Optional)

RCCT Integral Thermostat: Range 45-90°F with positive off.

RCCSPC Splice Plate Assembly.



Specifications

Model No.	Watts	Voltage	Amps	Length (inches)
C4508C	450W	208V	2.2	34
C4512C		120V	3.7	34
C4524C		240V	1.9	34
C6008C	600W	208V	2.9	47
C6012C		120V	5.0	47
C6024C		240V	2.5	47
C6027C		277V	2.2	47
C7508C	750W	208V	3.6	59
C7512C		120V	6.2	59
C7524C		240V	3.1	59
C7527C		277V	2.7	59
C9008C	900W	208V	4.3	71
C9012C		120V	7.5	71
C9024C		240V	3.7	71
C9027C		277V	3.2	71
C10508C	1050W	208V	5.0	83
C10512C		120V	8.8	83
C10524C		240V	4.4	83
C10527C		277V	3.8	83
C12008C	1200W	208V	5.8	94
C12012C		120V	10.0	94
C12024C		240V	5.0	94
C12027C		277V	4.3	94
C15008C	1500W	208V	7.2	118
C15024C		240V	6.2	118
C15027C		277V	5.4	118
C18008C	1800W	208V	8.7	132
C18024C		240V	7.5	132
C18027C		277V	6.5	132

LIMITED WARRANTY

All products manufactured by Marley Engineered Products are warranted against defects in workmanship and materials for one year from date of installation, except heating elements which are warranted against defects in workmanship and materials for five years from date of installation. This warranty does not apply to damage from accident, misuse, or alteration; nor where the connected voltage is more than 5% above the nameplate voltage; nor to equipment improperly installed or wired or maintained in violation of the product's installation instructions. All claims for warranty work must be accompanied by proof of the date of installation.

The customer shall be responsible for all costs incurred in the removal or reinstallation of products, including labor costs, and shipping costs incurred to return products to Marley Engineered Products Service Center. Within the limitations of this warranty, inoperative units should be returned to the nearest Marley authorized service center or the Marley Engineered Products Service Center, and we will repair or replace, at our option, at no charge to you with return freight paid by Marley. It is agreed that such repair or replacement is the exclusive remedy available from Marley Engineered Products.

THE ABOVE WARRANTIES ARE IN LIEU OF ALL OTHER WARRANTIES EXPRESSED OR IMPLIED, AND ALL IMPLIED WARRANTIES OF MERCHANTABILITY AND FITNESS FOR A PARTICULAR PURPOSE WHICH EXCEED THE AFORESAID EXPRESSED WARRANTIES ARE HEREBY DISCLAIMED AND EXCLUDED FROM THIS AGREEMENT. MARLEY ENGINEERED PRODUCTS SHALL NOT BE LIABLE FOR CONSEQUENTIAL DAMAGES ARISING WITH RESPECT TO THE PRODUCT, WHETHER BASED UPON NEGLIGENCE, TORT, STRICT LIABILITY, OR CONTRACT.

Some states do not allow the exclusion or limitation of incidental or consequential damages, so the above exclusion or limitation may not apply to you. This warranty gives you specific legal rights, and you may also have other rights which vary from state to state.

For the address of your nearest authorized service center, contact Marley Engineered Products in Bennettsville, SC, at 1-800-642-4328. Merchandise returned to the factory must be accompanied by a return authorization and service identification tag, both available from Marley Engineered Products. When requesting return authorization, include all catalog numbers shown on the products.

HOW TO OBTAIN WARRANTY SERVICE AND WARRANTY PARTS PLUS GENERAL INFORMATION

1. Warranty Service or Parts **1-800-642-4328**
2. Purchase Replacement Parts **1-800-654-3545**
3. General Product Information **www.marleymep.com**

Note: When obtaining service always have the following:

1. Model number of the product
2. Date of manufacture
3. Part number or description

Part No. 5200-2668-000
PPD 068
10/04



Marley

Engineered Products

An **SPX** Company
470 Beauty Spot Rd. East
Bennettsville, SC 29512 USA